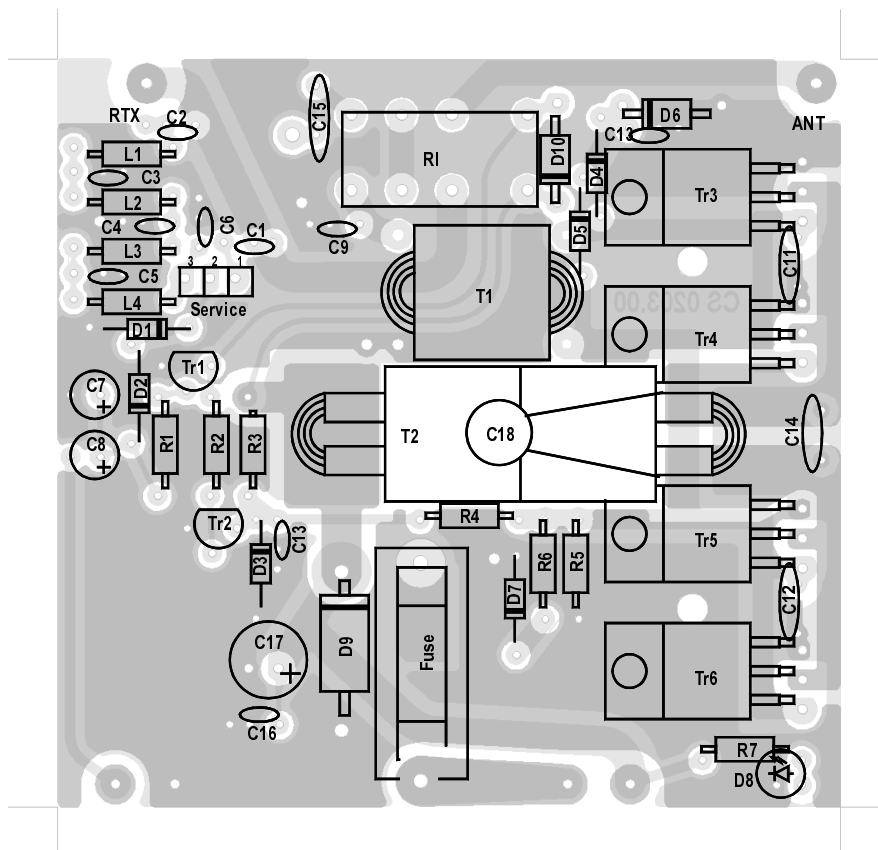
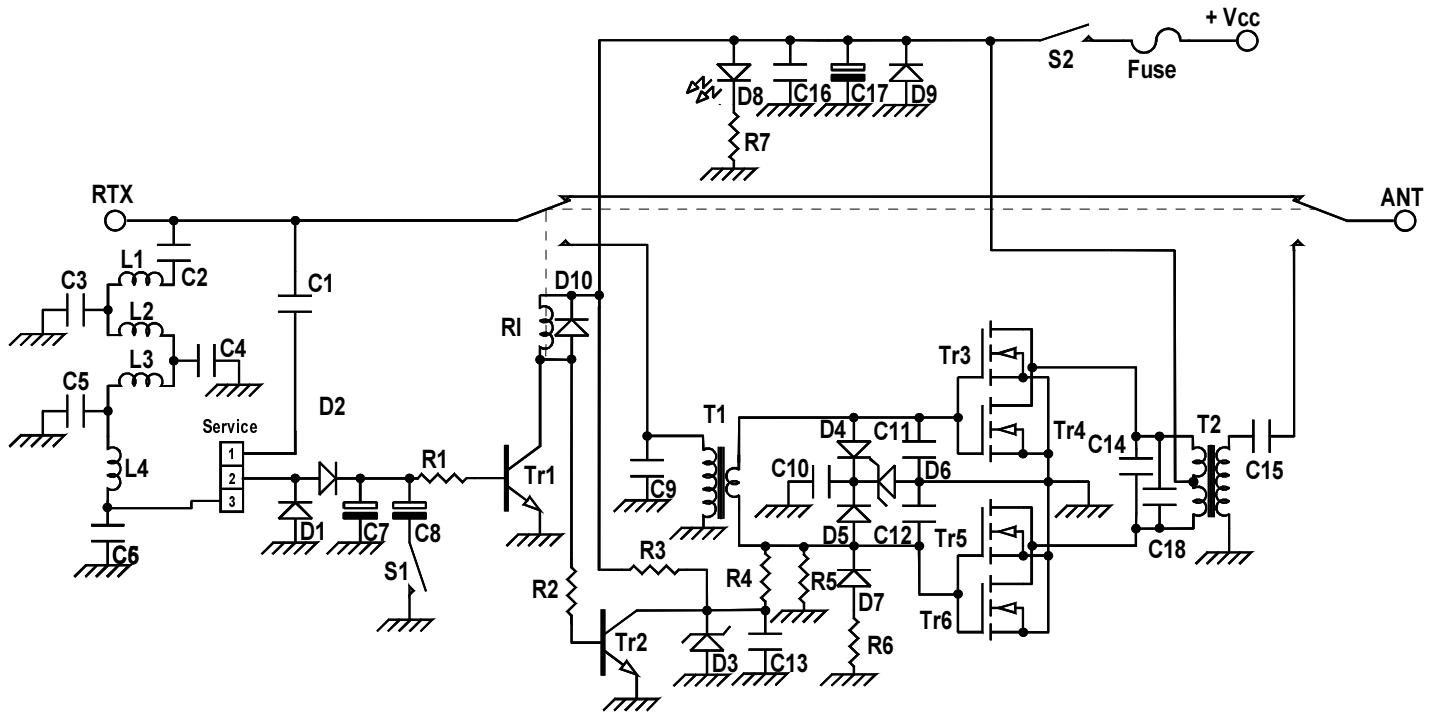




## Mod. KL 203 linear amplifier

Schematic diagram

Version 5.00



**List of components**

C <sub>1</sub>	= 8,2 pF	50 V	N750	T <sub>1</sub>	= Input transformer
C <sub>2</sub>	= 3,3 pF	50 V	N750	T <sub>2</sub>	= Output transformer
C <sub>3</sub>	= 180 pF	50 V	N750	Fuse	= 12 A
C <sub>4</sub>	= 180 pF	50 V	N750		
C <sub>5</sub>	= 180 pF	50 V	N750		
C <sub>6</sub>	= 27 pF	50 V	N750		
C <sub>7</sub>	= 4,7 μF	16 V			
C <sub>8</sub>	= 33 μF	16 V			
C <sub>9</sub>	= 150 pF	50 V	N750		
C <sub>10</sub>	= 10 nF	50 V			
C <sub>11</sub>	= 270 pF	50 V	N750		
C <sub>12</sub>	= 270 pF	50 V	N750		
C <sub>13</sub>	= 10 nF	50 V			
C <sub>14</sub>	= 47 pF	500V	N750		
C <sub>15</sub>	= 180 pF	500 V	N750		
C <sub>16</sub>	= 100 nF	50 V			
C <sub>17</sub>	= 47 μF	16 V			
C <sub>18</sub>	= 120 + 100 pF	500 V	N750		
R <sub>1</sub>	= 2,2 KΩ	¼W			
R <sub>2</sub>	= 10 KΩ	¼W			
R <sub>3</sub>	= 1,0 KΩ	¼W			
R <sub>4</sub>	= 10 KΩ	¼W			
R <sub>5</sub>	= 3,3 KΩ	¼W			
R <sub>6</sub>	= 1,0 KΩ	¼W			
R <sub>7</sub>	= 1,0 KΩ	¼W			
D <sub>1</sub>	= 1N4148				
D <sub>2</sub>	= 1N4148				
D <sub>3</sub>	= Zener 7,5 V	½W			
D <sub>4</sub>	= 1N4148				
D <sub>5</sub>	= 1N4148				
D <sub>6</sub>	= Zener 20 V	1,3W			
D <sub>7</sub>	= 1N4148				
D <sub>8</sub>	= LED Rosso				
D <sub>9</sub>	= 1N5400				
D <sub>10</sub>	= 1N4007				
TR <sub>1</sub>	= BC 547 B				
TR <sub>2</sub>	= BC 547 B				
TR <sub>3</sub>	= MOS RM3				
TR <sub>4</sub>	= MOS RM3				
TR <sub>5</sub>	= MOS RM3				
TR <sub>6</sub>	= MOS RM3				
S <sub>1</sub>	= Switch (AM - SSB)				
S <sub>2</sub>	= Switch (ON - OFF)				
L <sub>1</sub>	= 2,2 μH				
L <sub>2</sub>	= 2,2 μH				
L <sub>3</sub>	= 2,2 μH				
L <sub>4</sub>	= 2,2 μH				
RI	= Relè 12 V	3022			